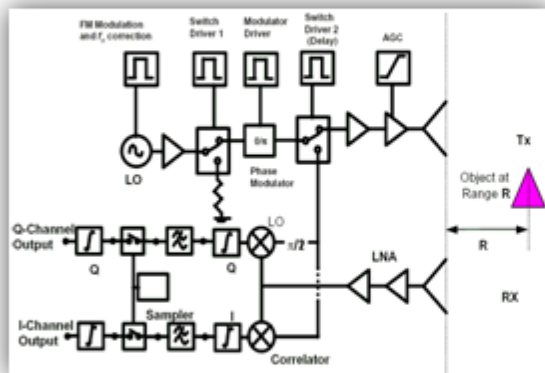
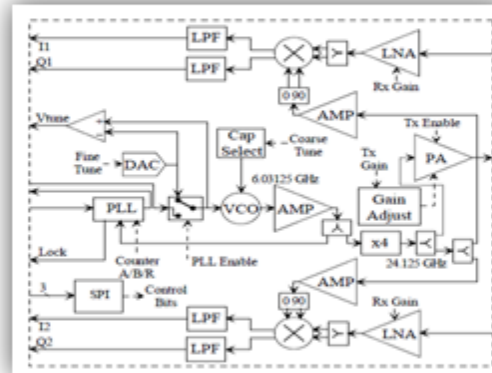


- Anokiwave has experience designing highly integrated chips in Silicon/GaAs for mm-wave and RF use that significantly reduce system cost.
 - ✓ Capable of complete tapeouts
 - ✓ Cost effective NRE, timely and system compliant
 - ✓ Commercial viable design (Small through EM, Reliable by Design)
 - ✓ First pass success rate exceptionally good => time to market

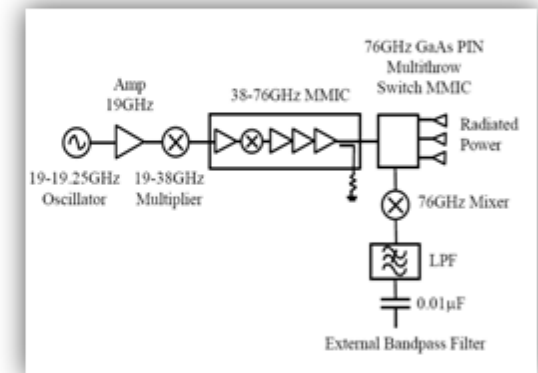
DESIGN EXPERIENCE FOR SYSTEM-on-CHIP



UWB 24 GHz SRR



Narrowband 24 GHz SRR



77 GHz ACC Radar LRR